

## G-CSR-TS-0116-0096-S

Datasheet

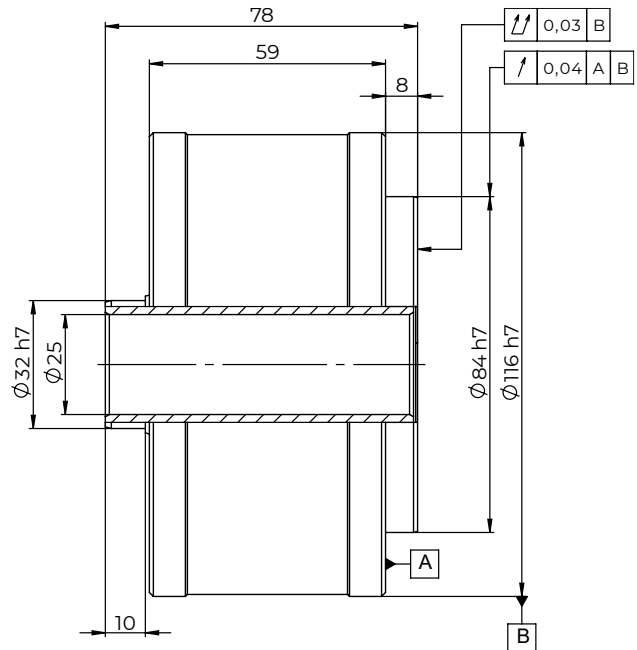
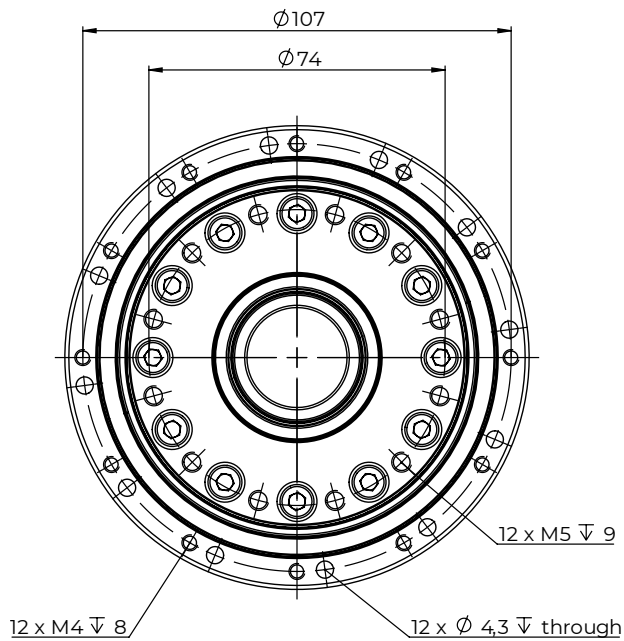
### **Compact, high reduction, single-stage precision gearbox**

- Reduced backlash design with lost motion < 1arcmin
- High torsional and tilting stiffness
- Customer specific input and output design possible
- Hollow shafts for feed-through applications
- Through holes for face mounting
- Angular contact ball bearings
- IP54



*'A NEW ERA OF  
DRIVE TECHNOLOGY'*

# G-CSR-TS-0116-0096-S



## General

Ratio [-]	-96
Weight [kg]	4
Efficiency [-]	up to 70%
Inertia [kg·mm <sup>2</sup> ]	57

## Accuracy

Transmission accuracy [arcmin]	< 3
Repeatability [arcmin]	< 0.1
Hysteresis loss [arcmin]	< 2
Lost motion [arcmin]	< 1

## Output specification<sup>1</sup>

Tilting stiffness [Nm/arcmin]	490
Max. tilting moment <sup>2</sup> [Nm]	420
Max. axial load <sup>3</sup> [N]	6120
Torsional stiffness [Nm/arcmin]	42

## Torque & Speed

Rated torque <sup>4</sup> [Nm]	140
Repeatable peak torque [Nm]	200
Rated speed [min <sup>-1</sup> ]	1000
Max. input speed [min <sup>-1</sup> ]	3000

<sup>1</sup>at peak torque

<sup>2</sup> at Fa=0N

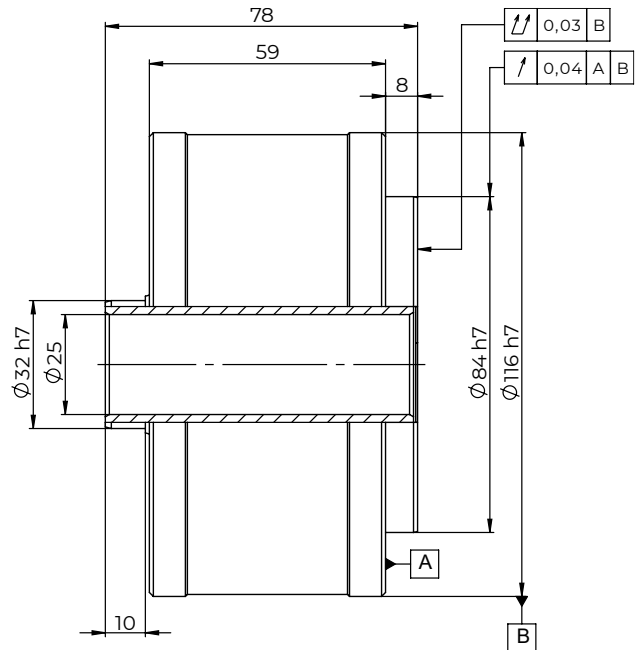
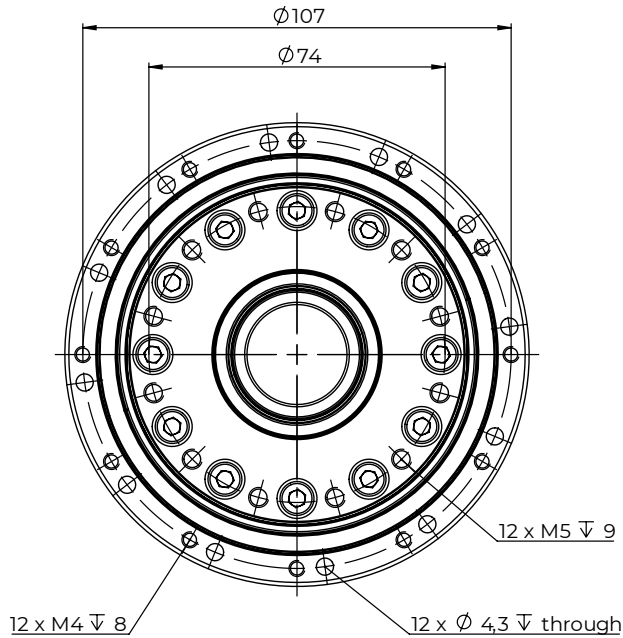
<sup>3</sup> at Mk=0Nm

<sup>4</sup> at rated speed

Errors and omissions excepted. Our GTCs apply. The above values are for preliminary designs only.

For further information please contact Kraken Innovations GmbH.

# G-CSR-TS-0116-0064-S



## General

Ratio [-]	-64
Weight [kg]	4
Efficiency [-]	up to 70%
Inertia [kg·mm <sup>2</sup> ]	57

## Accuracy

Transmission accuracy [arcmin]	< 3
Repeatability [arcmin]	< 0.1
Hysteresis loss [arcmin]	< 2
Lost motion [arcmin]	< 1

## Output specification<sup>1</sup>

Tilting stiffness [Nm/arcmin]	490
Max. tilting moment <sup>2</sup> [Nm]	420
Max. axial load <sup>3</sup> [N]	6120
Torsional stiffness [Nm/arcmin]	50

## Torque & Speed

Rated torque <sup>4</sup> [Nm]	140
Repeatable peak torque [Nm]	200
Rated speed [min <sup>-1</sup> ]	1000
Max. input speed [min <sup>-1</sup> ]	3000

<sup>1</sup>at peak torque

<sup>2</sup> at Fa=0N

<sup>3</sup> at Mk=0Nm

<sup>4</sup> at rated speed

Errors and omissions excepted. Our GTCs apply. The above values are for preliminary designs only.

For further information please contact Kraken Innovations GmbH.