

G-CSR-TS-0098-0096-S

Datasheet

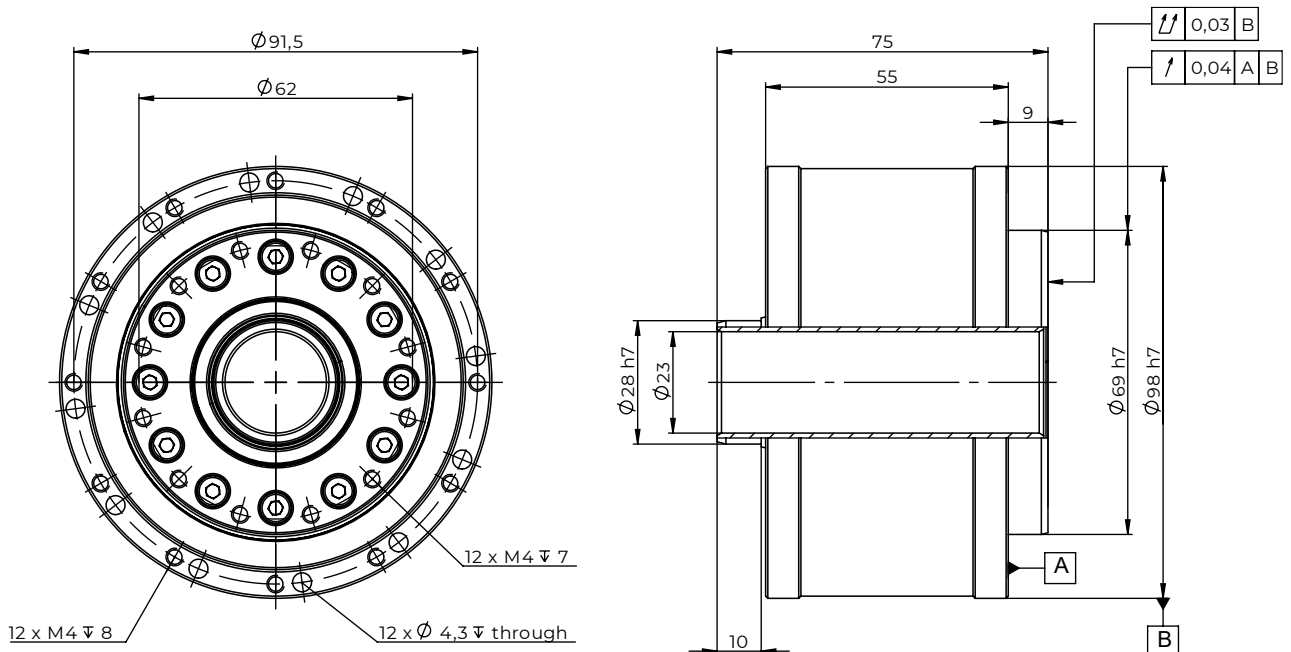
Compact, high reduction, single-stage precision gearbox

- Reduced backlash design with lost motion < 1arcmin
- High torsional and tilting stiffness
- Customer specific input and output design possible
- Hollow shafts for feed-through applications
- Through holes for face mounting
- Angular contact ball bearings
- IP54



*'A NEW ERA OF
DRIVE TECHNOLOGY'*

G-CSR-TS-0098-0096-S



General

Ratio [-]	-96
Weight [kg]	2.6
Efficiency [-]	up to 60%
Inertia [kg·mm ²]	32

Accuracy

Transmission accuracy [arcmin]	< 3
Repeatability [arcmin]	< 0.1
Hysteresis loss [arcmin]	< 2
Lost motion [arcmin]	< 1

Output specification¹

Tilting stiffness [Nm/arcmin]	420
Max. tilting moment ² [Nm]	345
Max. axial load ³ [N]	4540
Torsional stiffness [Nm/arcmin]	37

Torque & Speed

Rated torque ⁴ [Nm]	90
Repeatable peak torque [Nm]	115
Rated speed [min ⁻¹]	1000
Max. input speed [min ⁻¹]	3000

¹at peak torque

² at Fa=0N

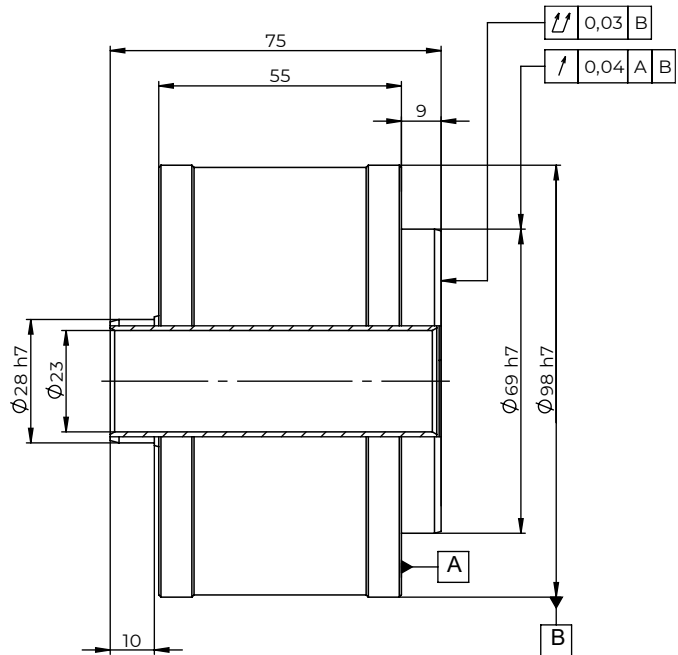
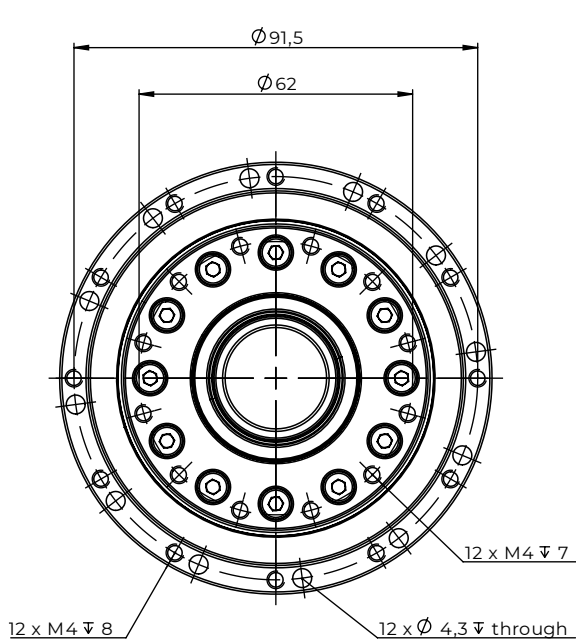
³ at Mk=0Nm

⁴ at rated speed

Errors and omissions excepted. Our GTCs apply. The above values are for preliminary designs only.

For further information please contact Kraken Innovations GmbH.

G-CSR-TS-0098-0062-S



General

Ratio [-]	62
Weight [kg]	2.6
Efficiency [-]	up to 60%
Inertia [kg·mm ²]	32

Accuracy

Transmission accuracy [arcmin]	< 3
Repeatability [arcmin]	< 0.1
Hysteresis loss [arcmin]	< 2
Lost motion [arcmin]	< 1

Output specification¹

Tilting stiffness [Nm/arcmin]	276
Max. tilting moment ² [Nm]	345
Max. axial load ³ [N]	3632
Torsional stiffness [Nm/arcmin]	25

Torque & Speed

Rated torque ⁴ [Nm]	60
Repeatable peak torque [Nm]	80
Rated speed [min ⁻¹]	1000
Max. input speed [min ⁻¹]	3000

¹at peak torque

² at Fa=0N

³ at Mk=0Nm

⁴ at rated speed

Errors and omissions excepted. Our GTCs apply. The above values are for preliminary designs only.

For further information please contact Kraken Innovations GmbH.